



FEATURES

- Full distribution LED troffer
- Direct replacement of fluorescent 2x4
- Long-life, 60,000 hour LEDs at L80 reduce life cycle maintenance costs
- Four LED color choices and 80 CRI
- Many shielding choices
- Two door frame choices
- Metal to metal light leak protection on all four sides of shielding frame
- Fixed output, step dimming (high/low/off), 0-10V dimming, 0-10V dimming-dim to dark drivers available
- Hinged optical system allows easy access to LED modules and electrical from below the ceiling
- All models standard with IC rating
- DesignLights Consortium® (DLC) qualified
- Five year warranty

PROJECT INFORMATION

Project Name _____

Type _____

Catalog No. _____

Date _____

CONSTRUCTION

Luminaire housing, end caps, and reflectors are die-formed code-gauge cold-rolled steel. Optical system hinges from either side for easy access to LED module and electrical components. Mechanical light trap prevents light leaks.

CEILING COMPATIBILITY

Designed for recessed installation in standard inverted tee grid ceilings (G). Four integral T-bar clips standard. Also available for recessed installation in hard ceilings (G with FK accessory), surface mount at ceiling plane (SM), or cable mount suspension below ceiling plane (CM). For compatibility with specific ceilings contact your Hubbell Lighting representative.

FINISH

All metal parts processed with a multi-stage phosphate bonding treatment and finished with a high reflectance baked white enamel.

CERTIFICATION

All luminaires are built to UL 1598 and 2108 standards, and bear appropriate CSA labels. Damp location labeling is standard. Emergency equipped fixtures labeled UL924. Adheres to LM79, LM80 and TM21 industry standards. IC rating is standard on all models. DesignLights Consortium® (DLC) qualified. Please refer to the DLC website for specific product qualifications at www.designlights.org.

SHIELDING

Lens is high transmission pattern #12 acrylic (A12) for light diffusion without compromise to light output. Other shielding may be specified. If desired shielding media is not shown in ordering guide, contact your local Hubbell Lighting representative.

WARRANTY

Five year warranty. (Terms and Conditions Apply)

INSTALLATION

An access plate is furnished with each recessed fixture for fast wiring connections without the necessity to open the fixture or wireway.

ORDERING INFORMATION

EXAMPLE LJT24-35MLG-FSA12-EU

LJT 24 -						U -	
MODEL	COLOR TEMP	CEILING TYPE	SHIELDING	DRIVER	VOLTAGE	OPTIONS	
LJT LED Lensed Troffer	30 3000K 35 3500K 40 4000K 50 5000K	G Grid ¹ SM Surface Mount CM Cable Mount ²	A12 Pattern 12 Acrylic Lens A12125 Pattern 12 Acrylic Lens, 0.125" Nominal A12F Pattern 12 Frosted Acrylic Lens A12125F Pattern 12 Frosted Acrylic Lens, 0.125" Nominal A19 Pattern 19 Acrylic Lens, 0.156" Nominal A19F Pattern 19 Frosted Acrylic Lens, 0.156"	E Fixed Output ESD Step Dimming ³ ED 0-10V Dimming ED1 0-10V 1% Dimming EDD 0-10V Dimming, Dim to Dark ⁴	U 120V-277V	C388 3-Wire Flex C488 4-Wire Flex C588 5-Wire Flex ELL14 Emergency Battery Pack Installed, 1400 Lumens ^{5,6} GLR Fast Blow Fuse GTD Generator Transfer Device G1 Single Gasketing (Door to Housing) G2 Double Gasketing (G1 and Lens to Door) G3 Triple Gasketing (G2 and Housing to Ceiling) CP Chicago Plenum	
SIZE	LUMEN OUTPUT	DOOR					
24 2' x 4'	XW Extra Low Watt VW Very Low Watt MW Medium Low Watt LW Low Watt ML Medium Lumen HL High Lumen VL Very High Lumen XL Extra High Lumen	FS White Flush Steel FA White Flush Aluminum	See Product Availability Table Below				

ACCESSORIES (ORDER SEPARATELY)

- FK24** 2' x 4' Single Flange Kit
- CM48Y25C3F-KIT** 48" Cable Mount Kit for 2' wide CM ceiling type, 3 Wire Feed Cord

¹ For hard ceilings use flange kit accessory.
² Order hanger accessories separately.
³ Not available with XL lumen output.
⁴ 50 watt and below.
⁵ For compatibility with Dual-Lite LiteGear® inverters in lieu of installed battery pack, contact Hubbell Lighting Representative.
⁶ Not available with Surface Mount.
 Damp label—standard.
 IC rating—standard.



Product Availability			
Lumen Package	Lumens	Input Watts	LPW
LJT24-50XWG-FSA12-EU	2919	20	145
LJT24-40XWG-FSA12-EU	2681	20	133
LJT24-35XWG-FSA12-EU	2640	20	131
LJT24-30XWG-FSA12-EU	2563	20	127
LJT24-50VWG-FSA12-EU	3806	27	142
LJT24-40VWG-FSA12-EU	3495	27	130
LJT24-35VWG-FSA12-EU	3441	27	128
LJT24-30VWG-FSA12-EU	3341	27	125
LJT24-50MWG-FSA12-EU	4297	31	140
LJT24-40MWG-FSA12-EU	3946	31	129
LJT24-35MWG-FSA12-EU	3886	31	127
LJT24-30MWG-FSA12-EU	3772	31	123
LJT24-50LWG-FSA12-EU	4720	34	139
LJT24-40LWG-FSA12-EU	4334	34	127
LJT24-35LWG-FSA12-EU	4268	34	126
LJT24-30LWG-FSA12-EU	4144	34	122
LJT24-50MLG-FSA12-EU	5218	38	136
LJT24-40MLG-FSA12-EU	4792	38	125
LJT24-35MLG-FSA12-EU	4718	38	123
LJT24-30MLG-FSA12-EU	4581	38	119
LJT24-50HLG-FSA12-EU	6017	45	133
LJT24-40HLG-FSA12-EU	5526	45	122
LJT24-35HLG-FSA12-EU	5441	45	120
LJT24-30HLG-FSA12-EU	5286	45	117
LJT24-50VLG-FSA12-EU	8191	59	138
LJT24-40VLG-FSA12-EU	7522	59	127
LJT24-35VLG-FSA12-EU	7407	59	125
LJT24-30VLG-FSA12-EU	7192	59	121
LJT24-50XLG-FSA12-EU	9763	73	134
LJT24-40XLG-FSA12-EU	8966	73	123
LJT24-35XLG-FSA12-EU	8829	73	121
LJT24-30XLG-FSA12-EU	8571	73	117



PHOTOMETRIC DATA

Test 16399 Test Date 06/28/2016

LUMINAIRE DATA

Luminaire	LJT24-40LWG-FSA12-EU LJT LED, Lensed Troffer 2' X 4' LED with A12 pattern acrylic prism lens
Ballast	XI040C110V054BST1
Ballast Factor	1.00
Lamp	LED
Fixture Lumens	4334
Watts	34.00
Mounting	Recessed
Shielding Angle	0° = 90 90° = 90
Spacing Criterion	0° = 1.19 90° = 1.19
Luminous Opening in feet	Length: 3.92 Width: 1.92 Height: 0.00

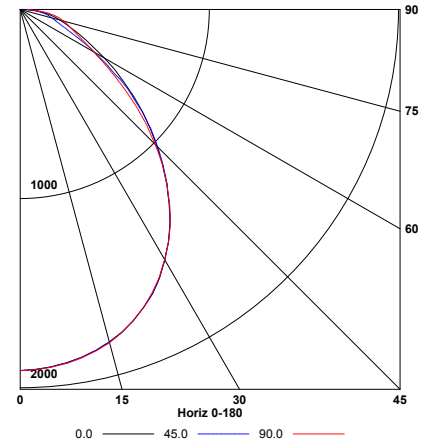
ENERGY DATA

Total Luminaire Efficiency	100.0%
Total Lumens per Watt	127
ANSI/IESNA RP-1-2004 Compliance	Noncompliant
Comparative Yearly Lighting Energy Cost per 1000 Lumens	\$1.89 based on 3000 hrs. and \$0.08 per KWH

ZONAL LUMEN SUMMARY

Zone	Lumens	%Lamp	%Fixt.
0-30	1456	33.6	33.6
0-40	2317	53.5	53.5
0-60	3680	84.9	84.9
0-90	4334	100.0	100.0
0-180	4334	100.0	100.0

INDOOR CANDELA PLOT



Test 16402 Test Date 06/27/2016

LUMINAIRE DATA

Luminaire	LJT24-40MLG-FSA12-EU LJT LED, Lensed Troffer 2' X 4' LED with A12 pattern acrylic prism lens
Ballast	XI040C110V054BST1
Ballast Factor	1.00
Lamp	LED
Fixture Lumens	4792
Watts	38.40
Mounting	Recessed
Shielding Angle	0° = 90 90° = 90
Spacing Criterion	0° = 1.19 90° = 1.19
Luminous Opening in feet	Length: 3.81 Width: 1.80 Height: 0.00

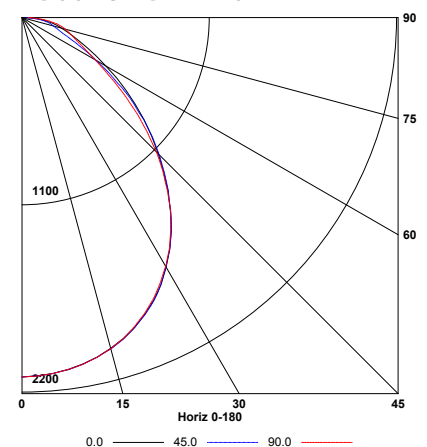
ENERGY DATA

Total Luminaire Efficiency	100.0%
Total Lumens per Watt	125
ANSI/IESNA RP-1-2004 Compliance	Noncompliant
Comparative Yearly Lighting Energy Cost per 1000 Lumens	\$1.90 based on 3000 hrs. and \$0.08 per KWH

ZONAL LUMEN SUMMARY

Zone	Lumens	%Lamp	%Fixt.
0-30	1609	33.6	33.6
0-40	2562	53.5	53.5
0-60	4069	84.9	84.9
0-90	4792	100.0	100.0
0-180	4792	100.0	100.0

INDOOR CANDELA PLOT



Test 16405 Test Date 06/28/2016

LUMINAIRE DATA

Luminaire	LJT24-40HLG-FSA12-EU LJT LED, Lensed Troffer 2' X 4' LED with A12 pattern acrylic prism lens
Ballast	XI054C150V054BST1
Ballast Factor	1.00
Lamp	LED
Fixture Lumens	5526
Watts	45.20
Mounting	Recessed
Shielding Angle	0° = 90 90° = 90
Spacing Criterion	0° = 1.18 90° = 1.18
Luminous Opening in feet	Length: 3.81 Width: 1.80 Height: 0.00

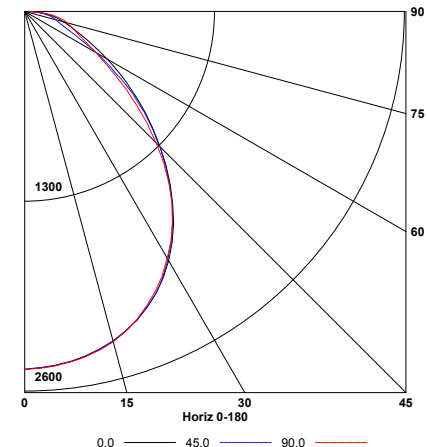
ENERGY DATA

Total Luminaire Efficiency	100.0%
Total Lumens per Watt	122
ANSI/IESNA RP-1-2004 Compliance	Noncompliant
Comparative Yearly Lighting Energy Cost per 1000 Lumens	\$1.95 based on 3000 hrs. and \$0.08 per KWH

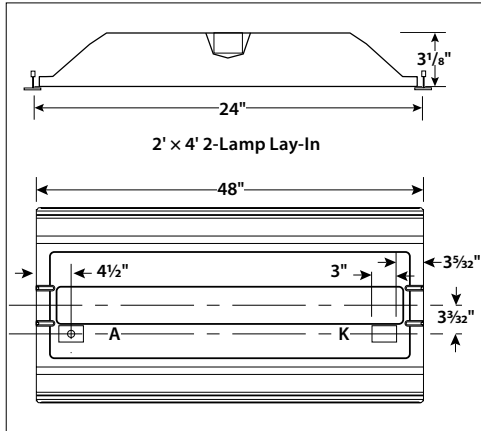
ZONAL LUMEN SUMMARY

Zone	Lumens	%Lamp	%Fixt.
0-30	1870	33.8	33.8
0-40	2975	53.8	53.8
0-60	4704	85.1	85.1
0-90	5526	100.0	100.0
0-180	5526	100.0	100.0

INDOOR CANDELA PLOT



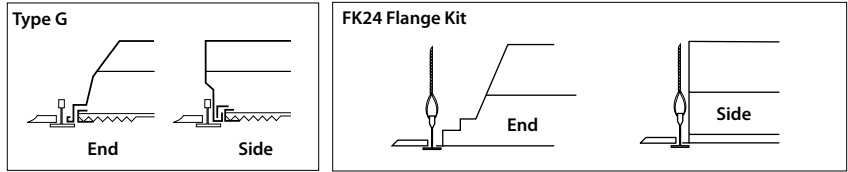
DIMENSIONAL DATA



A: 7/8" Diameter knockout
K: 2" x 3" through hole for access plate.

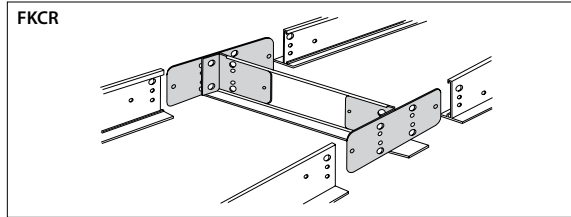
NOTE: All dimensions are in inches; dimensions and specifications are subject to change without notice. Please consult factory or check sample for verification.

CEILING COMPATIBILITY



For lay-in installation in exposed grid ceilings. Maximum tee widths of 1" and maximum tee heights of 2" allowed.

For hard ceiling applications order FK24 flange kit. Flange kit wires directly into concealed ceiling opening for a clean, finished appearance.

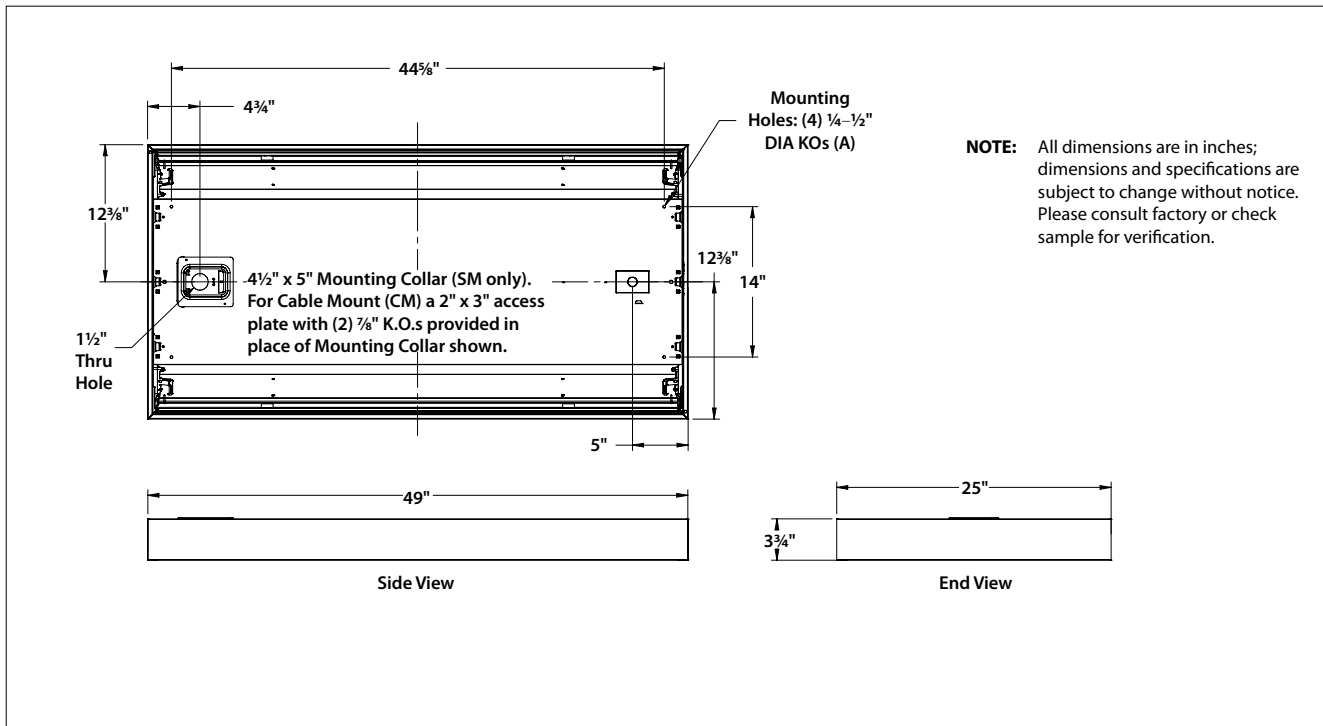


For flanged fixtures in row configurations, the FKCR adapter bracket kit is required in addition to the FK24 kit. Order one less FKCR than the total number of fixtures in row. (Example: Row of two, order (2) FK24 & (1) FKCR)

Rough cut out dimensions using FK24 & FKCR adapters:
Width 24 3/8", Length [48" x (# in row)] + 3/8". Example: (48" x 2) + 3/8" = 96 3/8"

Flange kit rough in dimensions for single unit only: 24 3/8" x 48 3/8"

DIMENSIONAL DATA - SURFACE MOUNT (SM) AND CABLE MOUNT (CM)



NOTE: All dimensions are in inches; dimensions and specifications are subject to change without notice. Please consult factory or check sample for verification.

SURFACE MOUNT

Order SM ceiling type. Mounting collar required for surface mounting. (4) Mounting knock-outs, 1/4" to 1/2" provided as shown, marked "A".

CABLE MOUNT

Order CM ceiling type. Access plate supplied for cable mounting or suspension. Use CM48Y2C3F-KIT 48" cable mount kit. Includes 3 wire feed cord. For other wiring needs, contact Hubbell Lighting representative. Mounting knock-outs, 1/4" to 1/2", provided as shown, marked "A".

